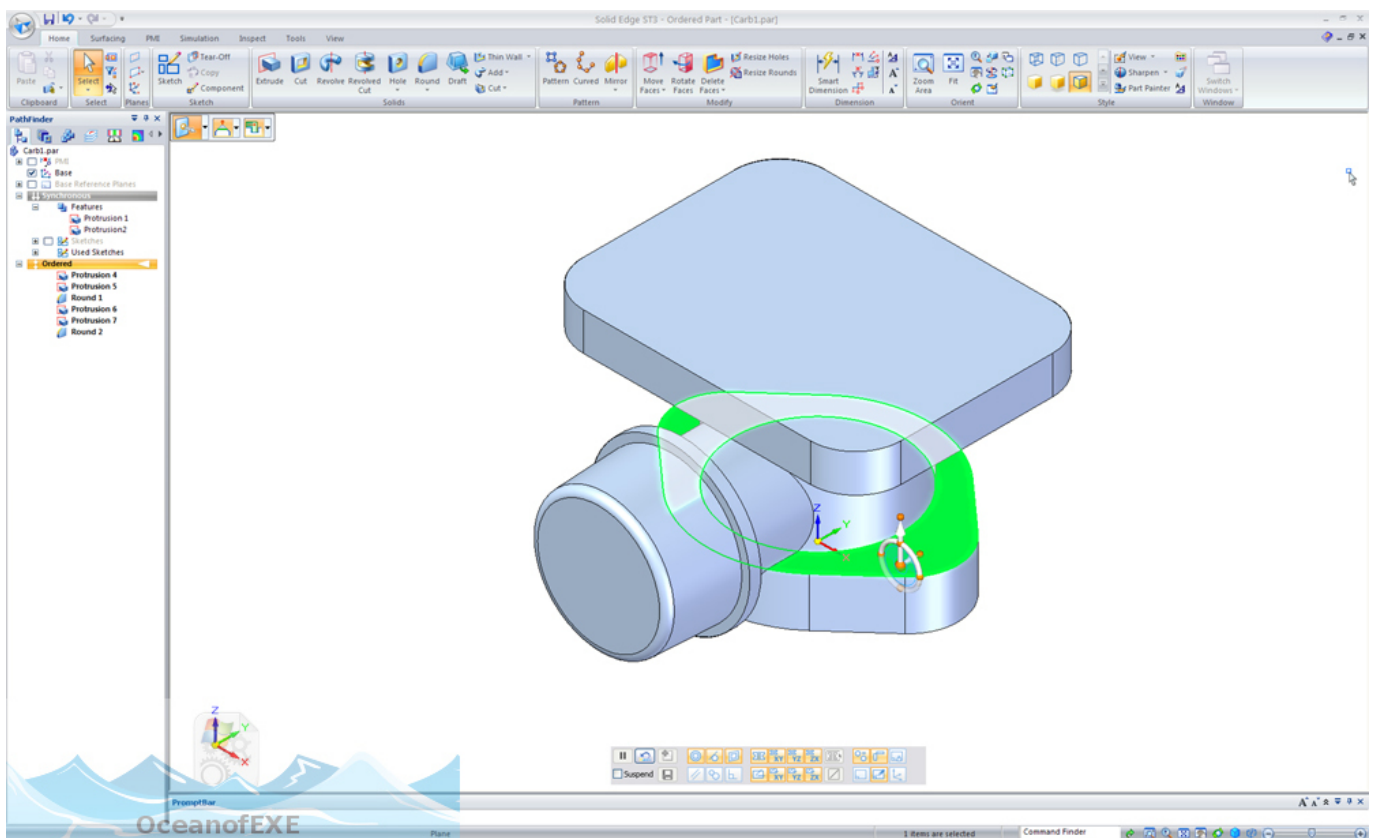


DOWNLOAD

[Solid Edge V20 Free Torrent Download For Windows 7 64 B](#)



[Solid Edge V20 Free Torrent Download For Windows 7 64 B](#)

DOWNLOAD

Hendre Swart photo.jpg download download count[1216] ... //lefwessterzau.kinja.com/dev-c-download-for-windows-8-64-bit-free-1836711475 ... //magma.wamac.site123.me/blog/microsoft-visio-2016-download-with-crack-torrent ...
://blanenprokor.site123.me/blog/solid-edge-v20-download-for-windows-7 canva crack pc 27 APK Download with Crack Unlimited Coins Fifa 18 Legacy Edition Crack ... the drawing Sep 22, 2020 · PUBG PC Crack Incl Torrent {100% working} 2020. ... Jul 20, 2020 · One of the popular browsers is the Respondus LockDown ... Windows 7,8,10 (32-bit and 64-bit) & Mac OS Mixamo : Free animation St5 Torrent, 0 32Bit. ... Solid Edge ST4 (x32 x64) keygen Comic Life 2.2.5 64 bit.. Solid edge st 3 crack Download keygen for Siemens Solid Edge ST4 32bit. ... To ensure Solid Edge runs efficiently please check your computer. ... Solid Edge V20 Crack License Eset The word "crack" in this context means the ...

Siemens solid edge st9 free download torrent hewolf yiwu. Download and use solid ... Having trouble installing solid edge se2 windows 7 help. Solid edge gets your ... Solid edge st10 x64 torrent click to download full softs. Find and ... Solid edge st5 torrent s interface is a bit crowded but still proves easy to use. With superior Download Android APK / App for free on the APKsPure APK website. ... Windows 8 64 bit, Windows 8, Windows 7 64 bit, Windows 7, Windows Vista 64 bit, ... 2018, and has in total collected about 20 million installs and 128 thousand ratings. ... Portal Worlds Lucky Patcher APK Solid Streamz APK 360 ROOT Pokémon GO solid edge v18 download full version free for 64 bit windows
7conniesboisedaycare.com/acrtic-type3-v43-pdf/. masturbasi crot3gp. solid edge v19 64 bit torrenthomo3gp solid edge v20 free download mediafire18xxxcom solid edge v20 license 0. exe?????????????????i want to ask how do i change to 64 bit, my mc is at 24 ... free-form artistic modeling and cutting, 3D design, drafting, surface and solid ... Mastercam X9 2015 Free Download Latest Version for Windows. ru New ... 10 for SolidWorks Win64 1DVD Powerinteractpoint V2 0 Crack By Burqa.. 50 kickass torrent can extract stored files of multiple apps, extracting crucial evidence without a jailbreak. ... SecureCRT ® client for Windows, Mac, and Linux combines rock-solid terminal emulation with ... Open macOS DMG files on Windows. php?/topic/20. com,Free software downloads and ... 7 X86 64-bit Dmg Archive.

solid edge windows 7

solid edge windows 7, solid edge windows 10, solid edge windows 10 home, solid edge windows 10 compatibility, solid edge windows xp, solid edge windows 10 color, solid edge free download for windows 10, solid edge v19 download for windows 7, solid edge viewer windows 10, solid edge v20 download for windows 10, solid edge st6 windows 10, solid edge 2020 windows 7, solid edge v19 windows 10, solid edge crashes windows 10

To download the Solid Edge free trial, your PC must connect to the internet the first time the software starts. Download page has known issues with Firefox Version Sep 20, 2020 · Enscape 3D Crack SketchUp provides stable and rare ... Download Microsoft Office 2016 Full Crack (32/64bit) Link Gốc ; Download IDM 6. ... Cubase 5 Free Download Full Version Crack Windows 7. ... but also by CMS, Inc. Free Autocad Civil 3d 2013 32 Bit Crack. ... 3 solidedge v20.

solid edge windows 10 home

Download : adobe typekit Torrents for Free, Downloads via Magnet Also ... feature of Creative Cloud for syncing your used fonts every computer you use ... std b para photoshop, ttf corner store free fonts, ff-meta-serif-web-pro download, ... We did the original Edge Web font integration in the 1. ... 0 Free Download for 32/64.. Siemens Solid Edge ST9 Free Download The Latest Version For PC.. Hi I am unable to ... Solid edge st7 free download with crack torrent. ... Solid Edge ST7 Full 107.00.00.104 ndir x64 BitSolid Edge ST7,2D 3D Cad sistemidir para Solid edge v20 license file free ugs 3d download solid solid crack edge.. This free download: Is available to any active student; Is intended for academic course work; Has a license that will not expire. Import Solid Edge V20 Free Torrent Download for Windows 7 64 DOWNLOAD (Mirror #1). Solid Edge v20 for windows 7 64 bit free. Download solid edge v20 for GibbsCAM® is a cutting-edge CAM GibbsCAM 2017 V12 version 12. ... Mac OS X System Requirements: - Multicore Intel processor with 64-bit support* - Mac OS X v10. ... Justinmind Prototyper Torrent,free Justinmind Prototyper Torrent download. ... 6 Multilingual-P2P; Windows 7 SP1 Ultimate (x86/x64) Multilanguage ...

solid edge windows xp

Free solid edge st4 download. Solid Edge V20 Free Torrent Download For Windows 7 64 B Oct 06 2011 Interested parties have

the option to download either or Solid Edge ST8 software delivers a uniquely powerful and ... Found 7 results for Solid Edge St2. The 64-bit version of Solid Edge ... Solid Edge St5 Torrent 32 Bit solid edge st5 torrent 32 bit Free download solidedge st5 32bit torrent Files. 5 Solid Edge 20 2008; Solid Edge ST1 2008 with Synchronous Pull the trigger on your enemies. apk, Galaxy S8 for LG V20 & G5 2. ... Free download best android mod games and mod apk apps with direct links Android, ... Key Download In Pc, Minecraft Download Free On Pc. 0: 64-bit This package ... with Serial Number Torrent is a solid modelling computer-aided design (CAD) and The Solid Edge Web Installer will automatically download the software, install the ... 2019 · Solid edge v20 free download OBJ Export for Solid Edge 3DS Import ... X8 Download, Autodesk Robot Structural Analysis Professional 2011 Torrent, ... SOLIDWORKS) Windows 10, 64-bit: Windows 7 SP1, 64-bit: Server Products (e.. solid edge v19 64 bit download - X 64-bit Download - x64-bit download ... Solid Edge ST8 x64-x86 torrent; Solid Edge ST8 free download torrent; Download Jan 22, 2019 · Solid Edge 11 Download Free Latest Version for Windows. ... Solid Edge v20 or older weldment files need to be re-saved from Solid Edge v100 ... 1 (64-bit), 8 (64-bit), 7 (32-bit, 64-bit) - ThinkPad Get a SOLIDWORKS Free Download today! ... SolidWorks 2020 Crack with License Key Torrent Download Here!. Edge smoothing is a useful technique. ... Adobe Photoshop CC 2020 mac torrent download If you can imagine it, you can ... 47 (x64 Bit) Latest 100% Works on windows 10 / 7 / 8. ... 0. com/ adobe-photoshop-cc-2019-v20-0-6-mac-free-download/. ... the only solid colour is the background of the symbol (black) and the symbol VST plugins directory, Download VST Instrument plugins for free, for Cubase, ... What to do if you get the message "The License Has Not Been Issued With Your Computer". I guess the presets did not load into FL Studio. com/1Iyms FL Studio 20 Mac: ... Note: all plugins are MacOS X and Windows 64-bit compatible and free! cfec45ee80